

3U x 19" Heavy-duty Stainless Steel Cradle for Three M5512 Modules CR 3U/19-3



M5512 Modules



CR3U/19-3 Cradle fully loaded with three M5512 Modules.
The Modules are not included.

Product description

The cradle is designed to fit into a standard 3RU x 19" space. It is constructed with high-grade stainless steel to ensure rigidity under the weight of ABSOPULSE's M5512, 5 x 5 x 12" standard modules. Plastic side guards and Lexan® bottom protectors allow for easy insertion of the M5512 modules. The M5512 stand-alone modules are fitted with matching aluminum front panels.

Material

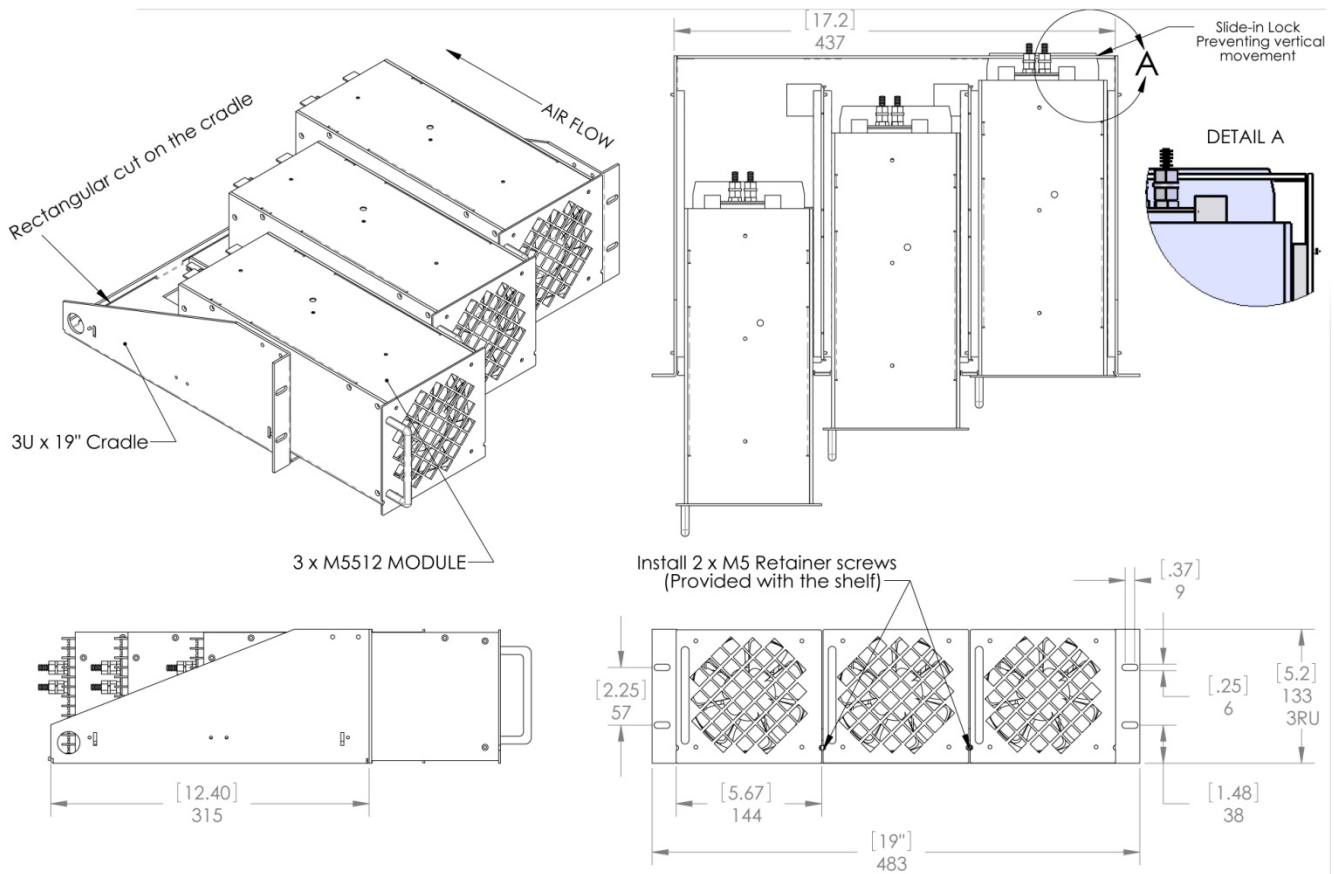
Stainless steel

Cradle weight only

4.3 kg (9.5 lb)

Fully loaded cradle weight

20 kg (44 lb)



ABSOPULSE power supplies are designed and built to customer requirements. The specifications on this data sheet are generic guidelines only and are subject to change.

OEM of industrial and railway quality DC-DC converters, AC-DC power supplies and battery chargers, DC-AC sine-wave inverters, phase and frequency converters, DC-output UPS systems and complete power systems in 19" and 23" racks since 1982. Custom or standard. ABSOPULSE is a BABT-approved Facility.



ABSOPULSE ELECTRONICS LTD

110 Walgreen Road, Ottawa, Ontario, K0A 1L0 CANADA

Tel: +1-613-836-3511 | Fax: +1-613-836-7488

<https://absopulse.com/contact> | <https://www.absopulse.com>