

## IP66-Rated Power Supply Solutions

### ABSOPULSE D2 Series, 150W/300W Output Power Range

ABSOPULSE Electronics offers a broad selection of heavy-duty power conversion products packaged in rugged, watertight die cast aluminum IP66 enclosures. The enclosures provide protection from the ingress of sand, dust, oil, salt, fog, insects and other environmental contaminants.

#### Output power

The D2 size IP66 enclosure accommodates several of our DC or AC input power converter series, with a typical power rating of up to 300W.

#### Typical designs

ABSOPULSE designs available in D2 size enclosures include the BAP 236, DCW 200, HVI 150, HBC 200, PFC 53, PHR 150, CSI 150, and many others.

#### Cooling

Cooling is by internal conduction to the walls of the IP66 enclosure and by baseplate to an external chassis or cabinet wall, with additional convection via the outside surface. This enables operation within a -25°C to +55°C temperature range for full specification. Installation on a heat-sinking surface significantly improves cooling.

#### Ruggedizing

The internal boards are ruggedized and conformal coated for immunity to shock and vibration. Heavy ruggedizing or encapsulation are available for increased immunity.

#### Connectors

Options available include sealed circular connectors, cable glands or custom.

#### Mounting

By mounting flanges

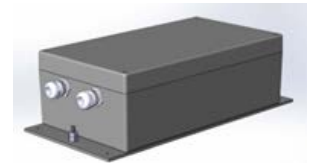
#### Weight

D2: approx. 3.6 kg; 8 lb  
Weight includes internal module (unpotted)

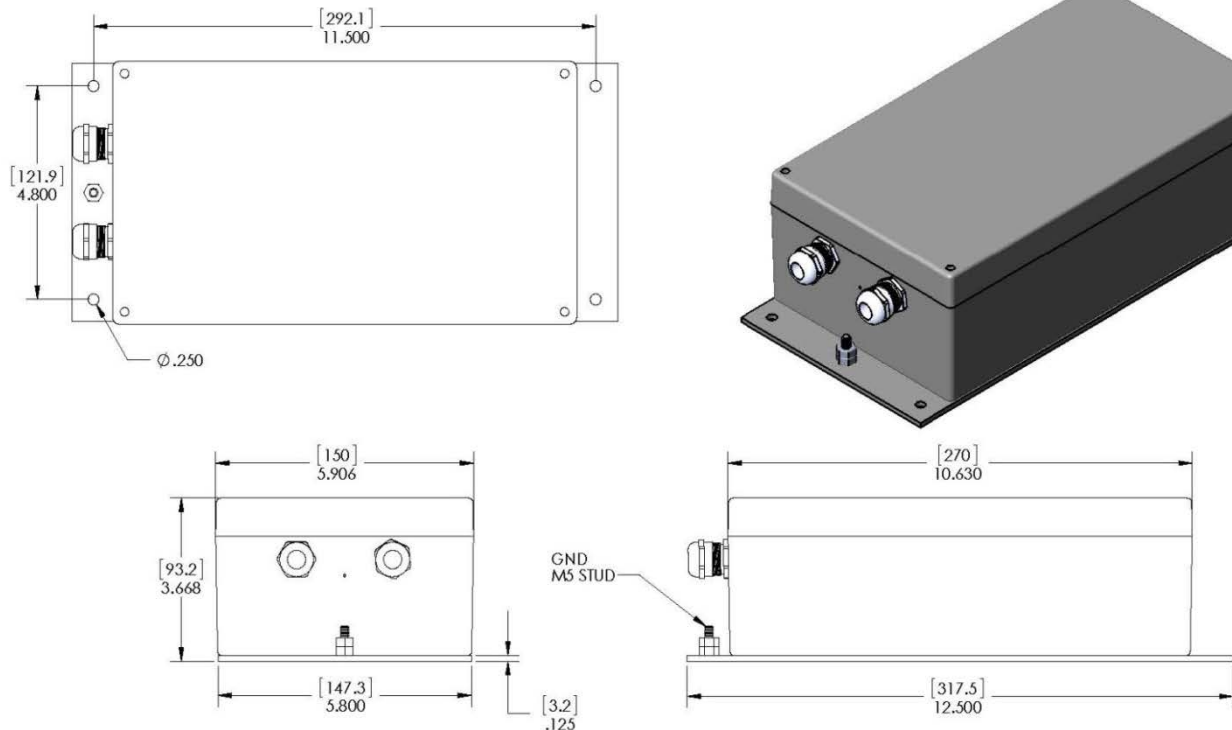
**Enhancements to specifications are also available.**



**D2C version (IP66)**  
Sealed circular connectors



**D2G version (IP66)**  
Sealed cable glands



**Outline drawing with dimensions**

*Designer and manufacturer of rugged power conversion solutions for industrial and railway applications. Our product line includes DC-DC converters, AC-DC power supplies and battery chargers, DC-AC sine wave inverters, AC-AC frequency converters, UPS systems, complete power systems in 19" and 23" racks.*

*Custom or standard. ABSOPULSE is a BABT approved facility. Established in 1982.*

**ABSOPULSE**  
ELECTRONICS LTD.

**ABSOPULSE ELECTRONICS LTD**  
110 Walgreen Road, Ottawa, Ontario | K0A 1L0 | CANADA  
T: +1-613-836-3511 | F: +1-613-836-7488  
E-mail: [absopulse@absopulse.com](mailto:absopulse@absopulse.com) | <http://www.absopulse.com>