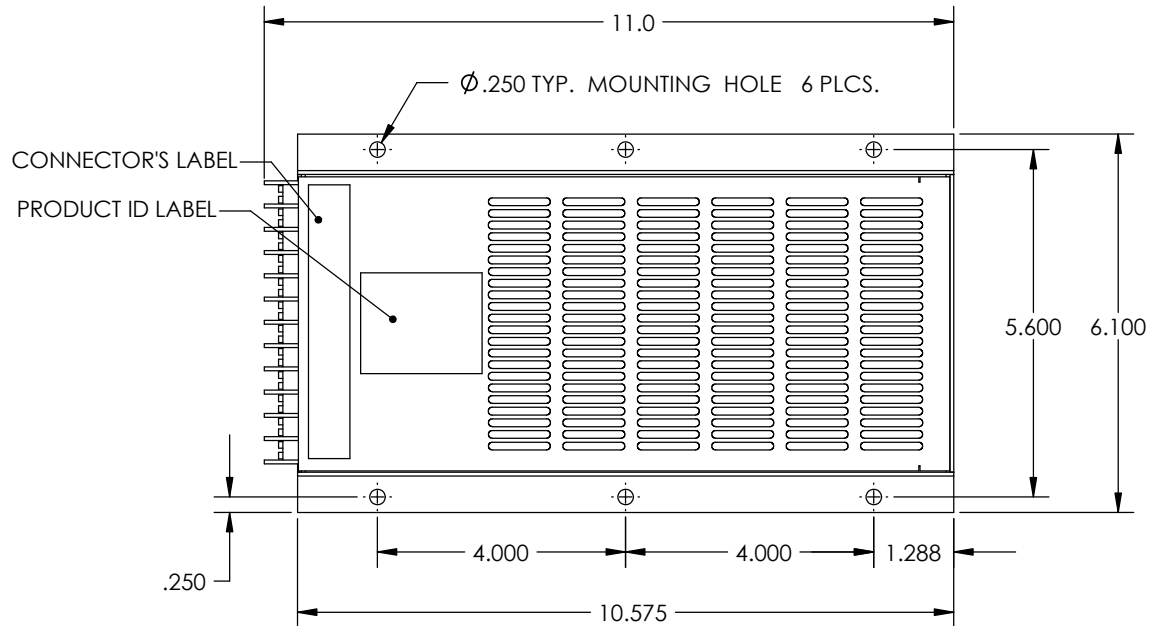
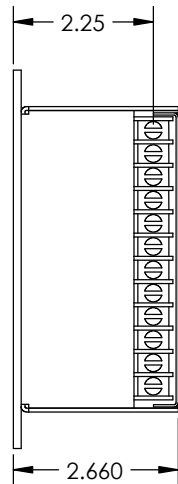


CURTIS SERIES 3800 SERIES
SINGLE ROW BARRIER TYPE
TERMINAL WITH #6 SCREWS



						DIMENSIONS ARE IN INCHES TOLERANCES ON DECIMALS: XXX ± 0.008" XX ± 0.012" ANGLES: ± 2° FRACTIONS: ± 1/64" UNLESS OTHERWISE STATED
THIS DOCUMENT IS THE PROPERTY OF ABSOPULSE ELECTRONICS LTD. ITS CONTENTS ARE PROPRIETARY AND MAY NEITHER BE COPIED, REPRODUCED NOR ITS CONTENTS DISCLOSED TO OTHERS WITHOUT PRIOR WRITTEN AGREEMENT FROM ABSOPULSE ELECTRONICS LTD.				Title: OUTLINE DRAWING P65 Package		ABSOPULSE Date: SEP.21.01