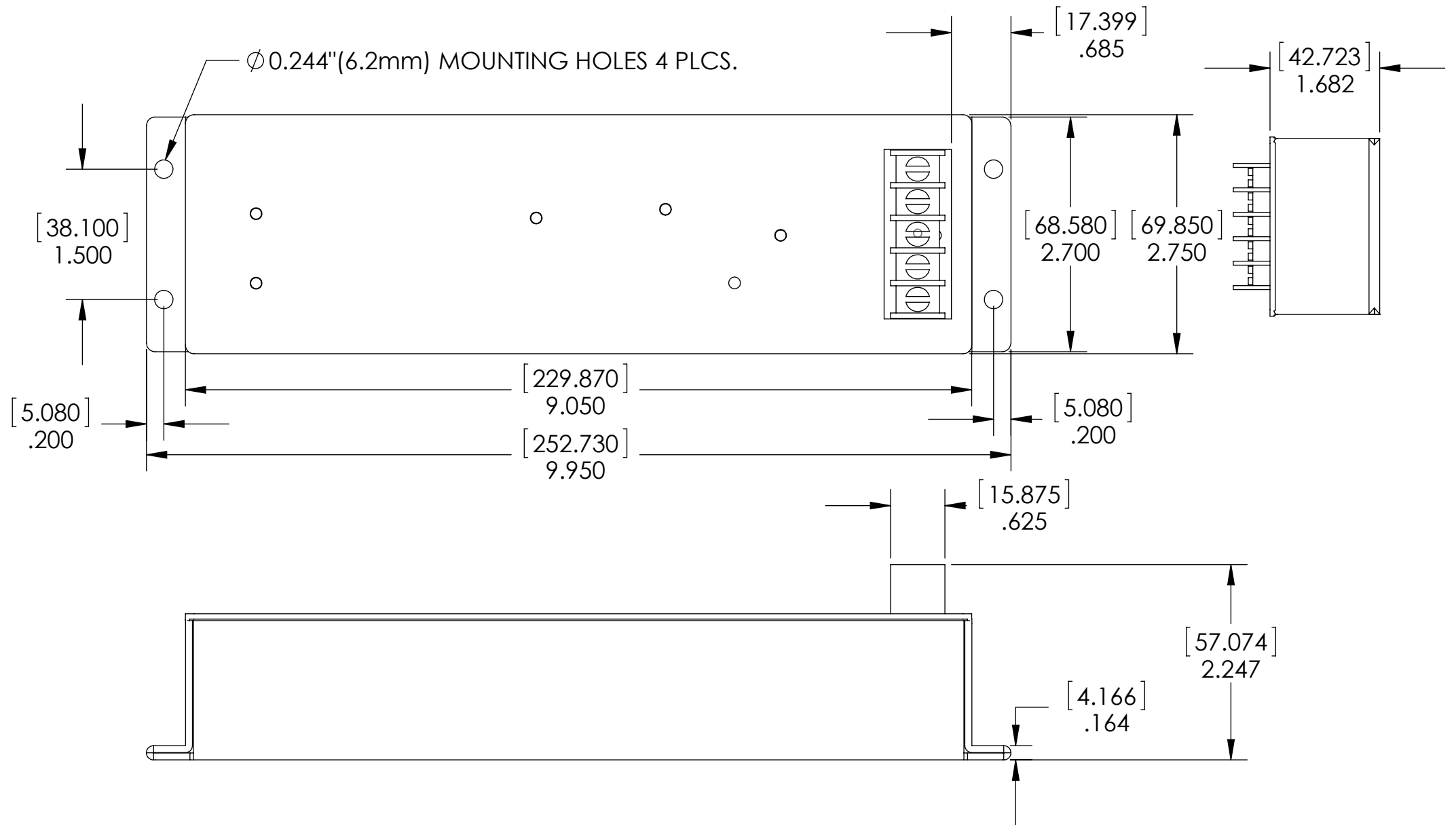



**INPUT & OUTPUT TERMINAL**  
 CURTIS 38000 SERIES 5 POLE TERMINAL  
 WITH #6 UNC SCREWS



REV	DESCRIPTION:	DATE	MUST BE RoHS COMPLIANT	DIMENSIONS ARE IN INCHES TOLERANCES ON DECIMALS: XXX ± 0.008" XX ± 0.012"	THIS DOCUMENT IS THE PROPERTY OF ABSOPULSE ELECTRONICS LTD. ITS CONTENTS ARE PROPRIETARY AND MAY NEITHER BE COPIED, REPRODUCED NOR ITS CONTENTS DISCLOSED TO OTHERS WITHOUT PRIOR WRITTEN AGREEMENT FROM ABSOPULSE ELECTRONICS LTD.	Title: <b>OUTLINE DRAWING</b>			 Date: <b>DEC.09/2014</b>	
A	NEW ISSUE	09/12/14		ANGLES: ± 2° FRACTIONS: ± 1/64" UNLESS OTHERWISE STATED		Part of: <b>P200X</b>				Drawing No: <b>ODR XXXXXXXXXX</b>
			EDGES & HOLES DEBURRED SURFACES FREE OF SCRATCHES			Drawn by: <b>J.X.</b>	Checked by:	Approved by:	Revision:	