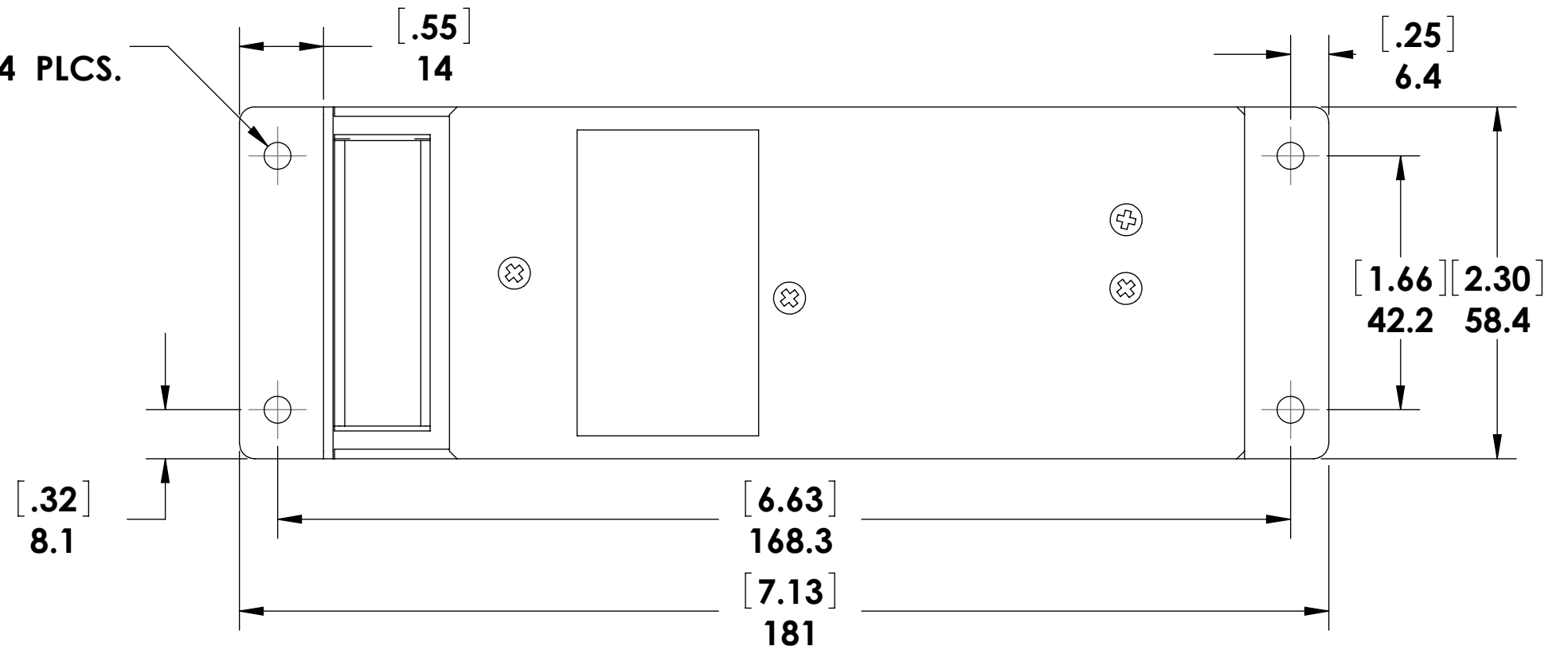
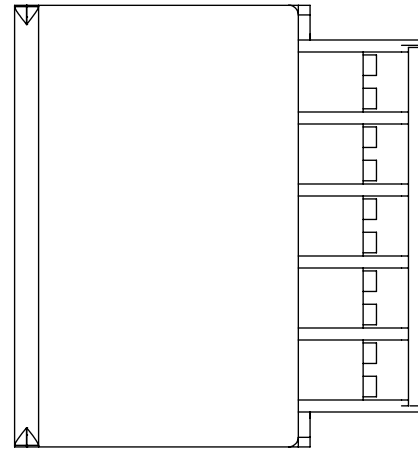
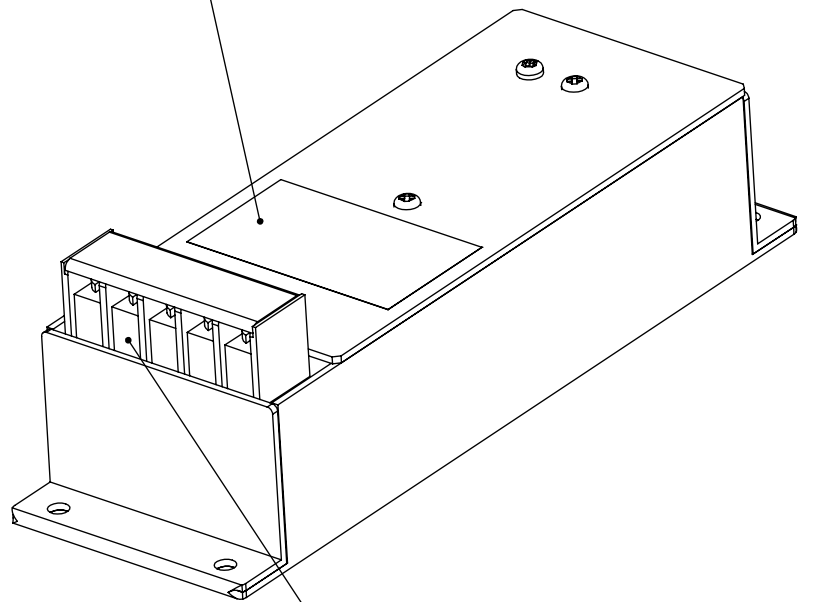


[.18]  
 $\varnothing$ 4.5 MOUNTING HOLES 4 PLCS.

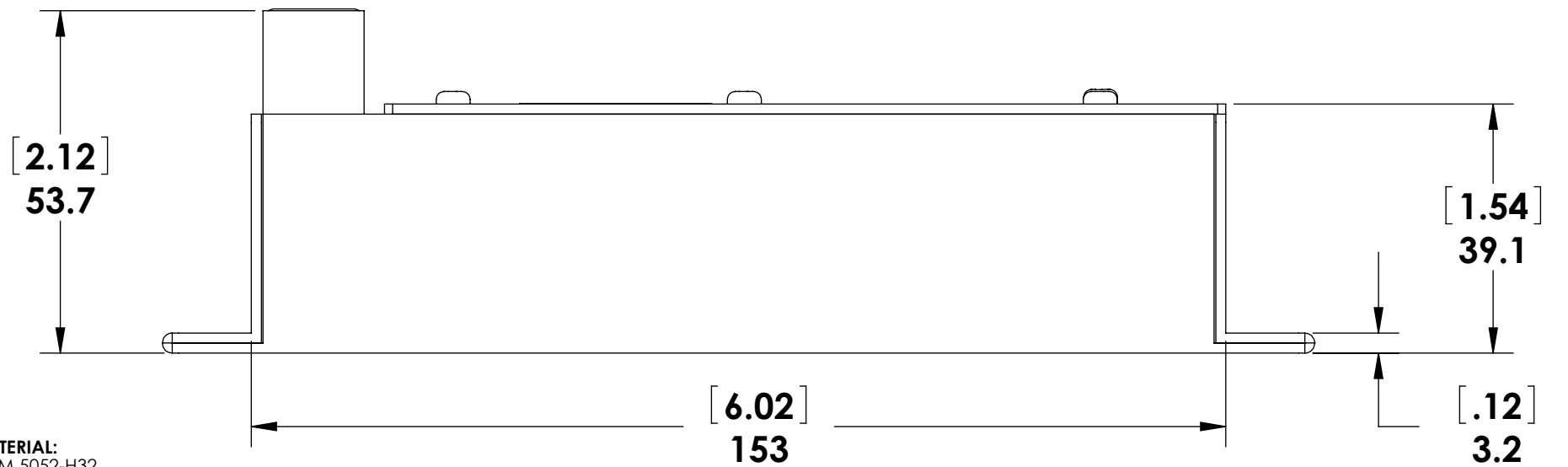


PRODUCT ID. LABEL



INPUT / OUTPUT TERMINAL  
 WITH 9.5mm SPACING  
 M3.5 SCREWS  
 5 POLES, 20A

**CASE MATERIAL:**  
 ALUMINUM 5052-H32  
**FINISH:**  
 CLEAR ALODINE  
 AS PER MIL-5541E CLASS 3  
**THE UNIT IS ENCAPSULATED  
 WITH THERMALLY CONDUCTIVE  
 POTTING COMPOUND**



REV	DESCRIPTION:	DATE
A	NEW ISSUE	26/02/2015

EDGES & HOLES DEBURRED  
 SURFACES FREE OF SCRATCHES

DIMENSIONS ARE IN INCHES  
 TOLERANCES ON  
 DECIMALS: XXX ± 0.008"  
 XX ± 0.012"  
 ANGLES: ± 2°  
 FRACTIONS: ± 1/64"  
 UNLESS OTHERWISE STATED

THIS DOCUMENT IS THE PROPERTY  
 OF ABSOPULSE ELECTRONICS LTD.  
 ITS CONTENTS ARE PROPRIETARY AND  
 MAY NEITHER BE COPIED, REPRODUCED  
 NOR ITS CONTENTS DISCLOSED TO OTHERS  
 WITHOUT PRIOR WRITTEN AGREEMENT  
 FROM ABSOPULSE ELECTRONICS LTD.

Title: OUTLINE DRAWING			
Part of: P100 Case			
Drawn by: J.X.	Checked by:	Approved by:	Revision:

**ABSOPULSE**  
 Date: FEB.26, 2015  
 Drawing No: ODR  
 XXXXXX