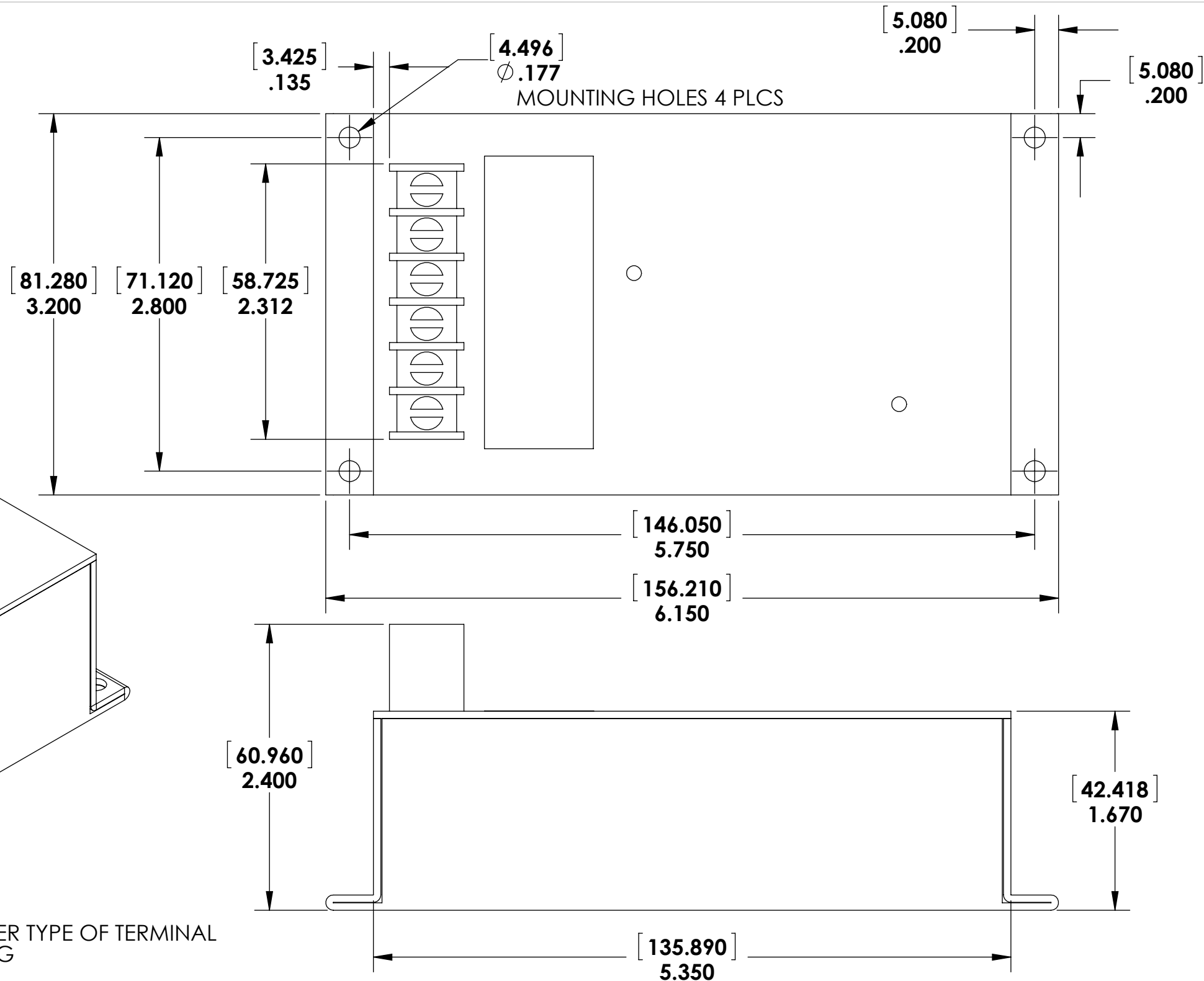
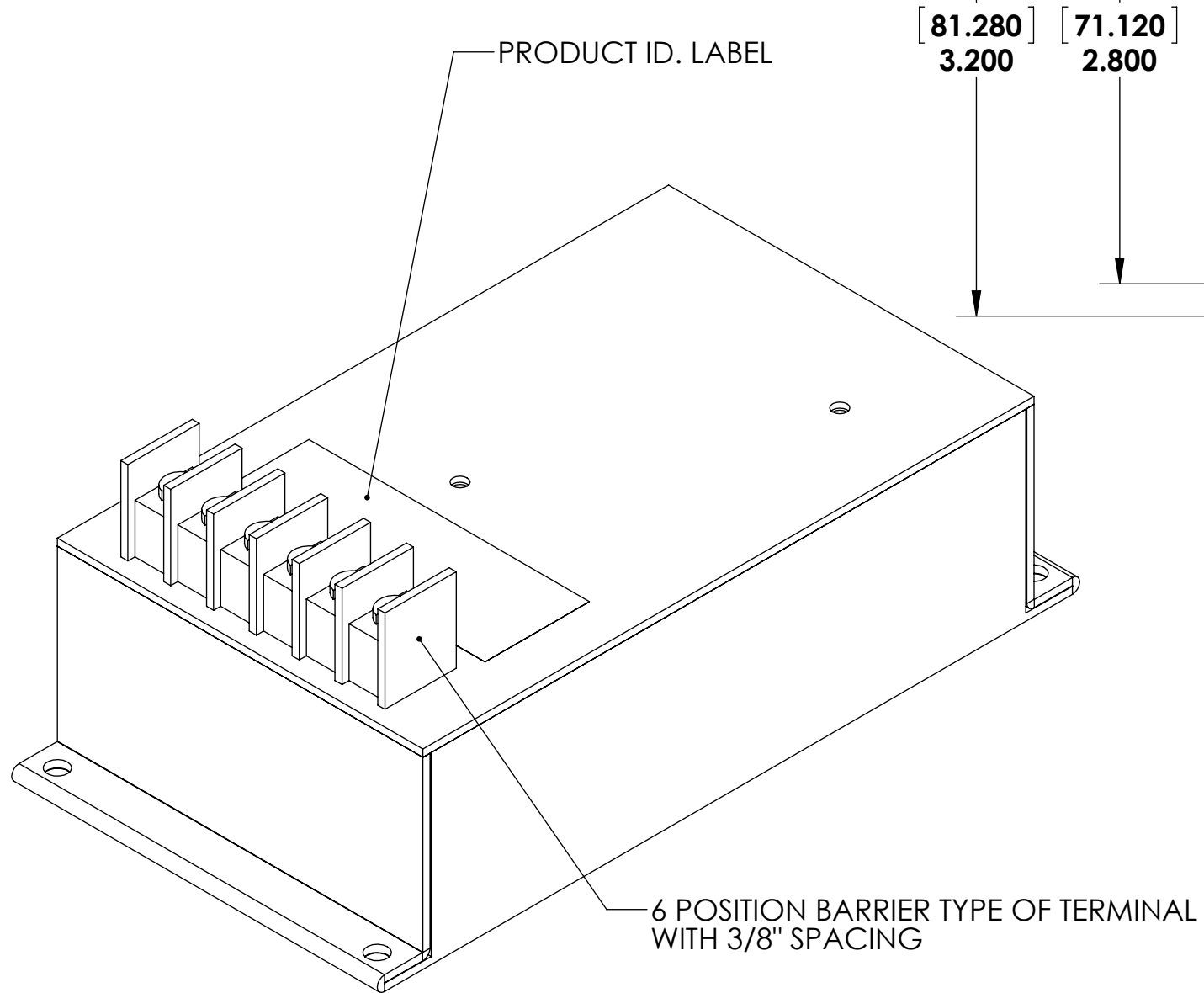


Unit is potted with thermally conductive silicone based potting compound
 Case material: Aluminium 5052-H32
 Finish: Clear Iridite as per MIL-C-5541E Class 3



REV	DESCRIPTION:	DATE	MUST BE RoHS COMPLIANT	DIMENSIONS ARE IN INCHES TOLERANCES ON DECIMALS: XXX ± 0.008" XX ± 0.012"	THIS DOCUMENT IS THE PROPERTY OF ABSOPULSE ELECTRONICS LTD. ITS CONTENTS ARE PROPRIETARY AND MAY NEITHER BE COPIED, REPRODUCED NOR ITS CONTENTS DISCLOSED TO OTHERS WITHOUT PRIOR WRITTEN AGREEMENT FROM ABSOPULSE ELECTRONICS LTD.			Title:	OUTLINE DRAWING		ABSOPULSE		
A	NEW ISSUE	05/11/2014		ANGLES: ± 2° FRACTIONS: ± 1/64" UNLESS OTHERWISE STATED				Part of:	P99L Package			Date:	NOV.05/2014
			EDGES & HOLES DEBURRED SURFACES FREE OF SCRATCHES					Drawn by:	Checked by:	Approved by:	Revision:	Drawing No:	ODR XXXXXXXXXX
								J.X.					