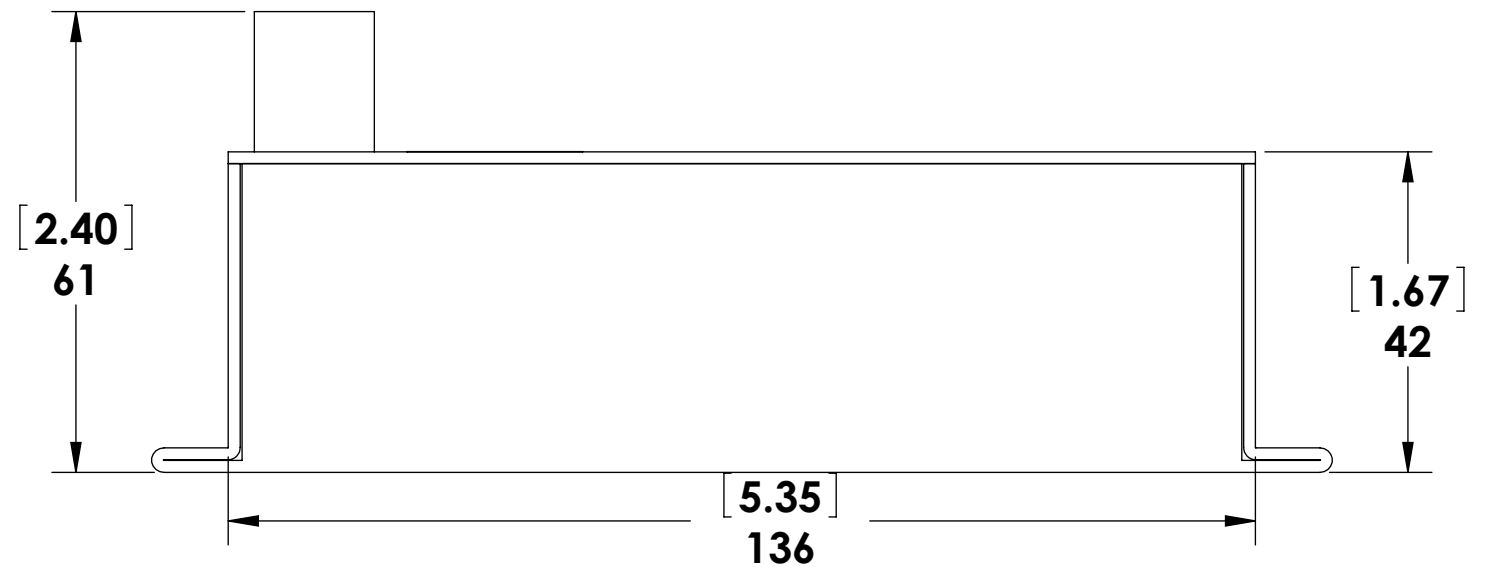
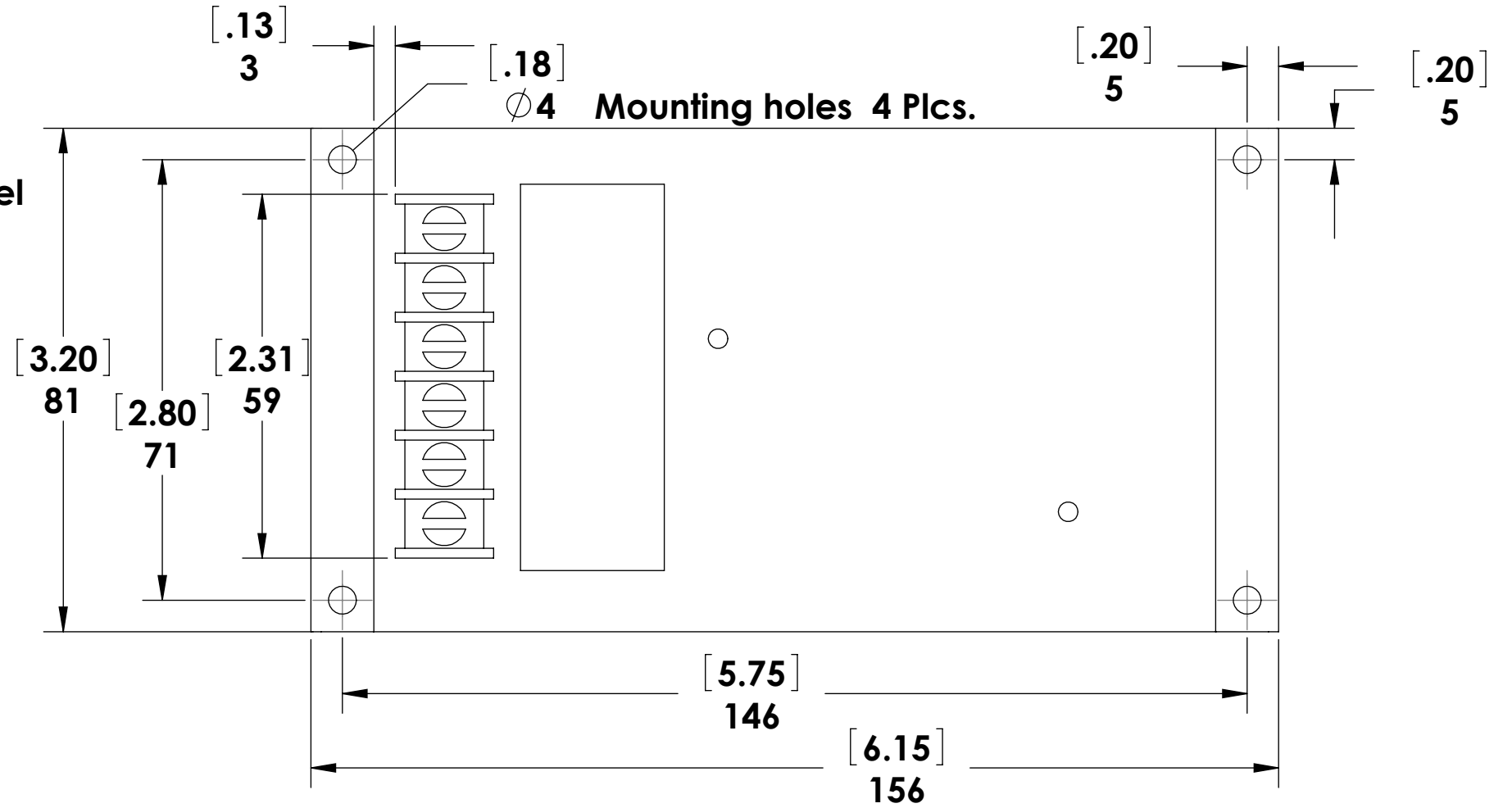


6 Position barrier type of terminal with 3/8" spacing



Unit is potted with thermally conductive silicone based potting compound  
 Case material: Aluminum 5052-H32  
 Finish: Clear Iridite as per MIL-C-5541E Class 3

REV	DESCRIPTION:	DATE	DIMENSIONS ARE IN INCHES TOLERANCES ON DECIMALS: XXX ± 0.008" XX ± 0.012"	THIS DOCUMENT IS THE PROPERTY OF ABSOPULSE ELECTRONICS LTD. ITS CONTENTS ARE PROPRIETARY AND MAY NEITHER BE COPIED, REPRODUCED NOR ITS CONTENTS DISCLOSED TO OTHERS WITHOUT PRIOR WRITTEN AGREEMENT FROM ABSOPULSE ELECTRONICS LTD.	Title: OUTLINE DRAWING				ABSOPULSE
A	NEW ISSUE	04/11/2014			Part of: P99 Package				
			EDGES & HOLES DEBURRED SURFACES FREE OF SCRATCHES	ANGLES: ± 2° FRACTIONS: ± 1/64" UNLESS OTHERWISE STATED	Drawn by: J.X.	Checked by:	Approved by:	Revision:	Drawing No: ODR XXXXXX