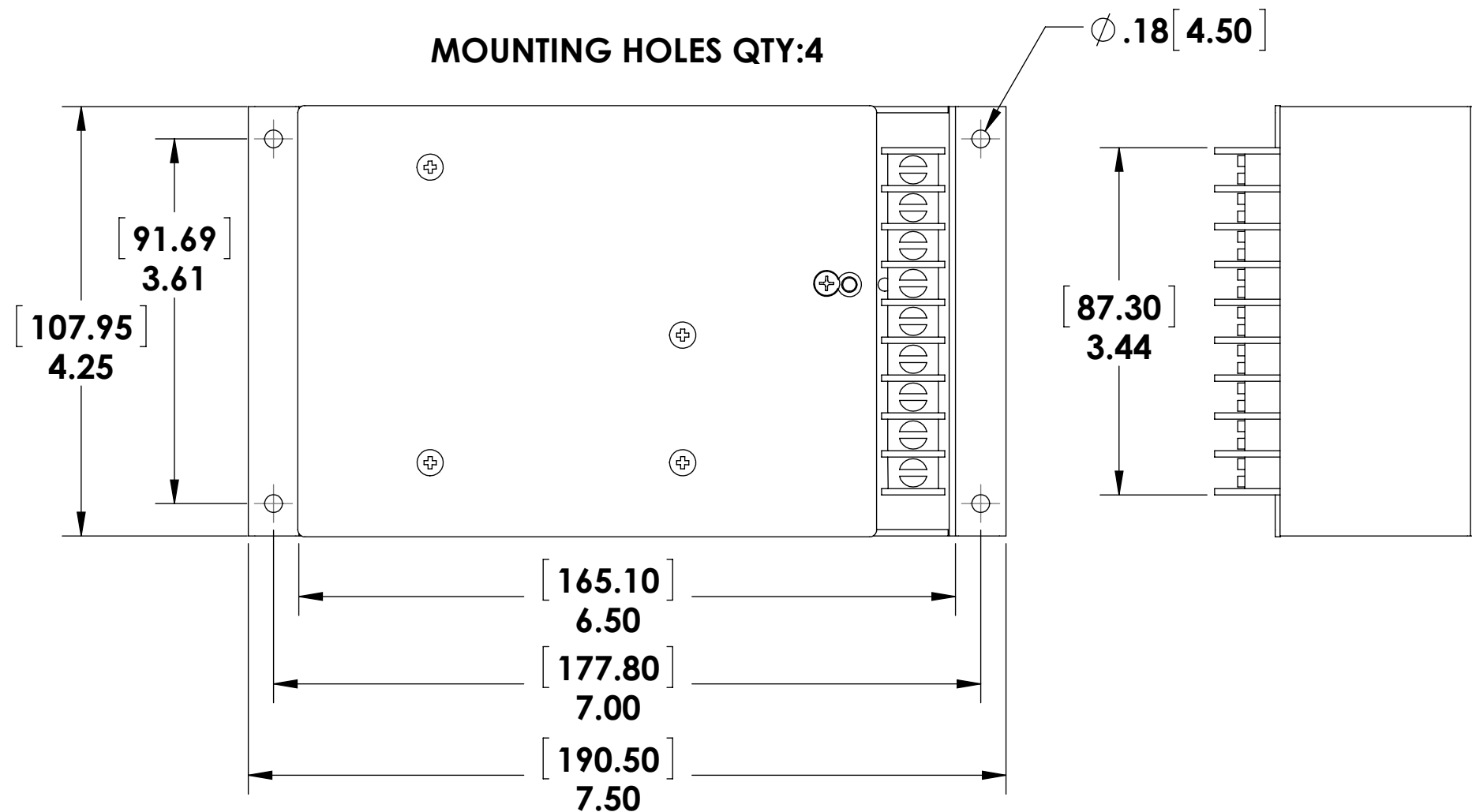


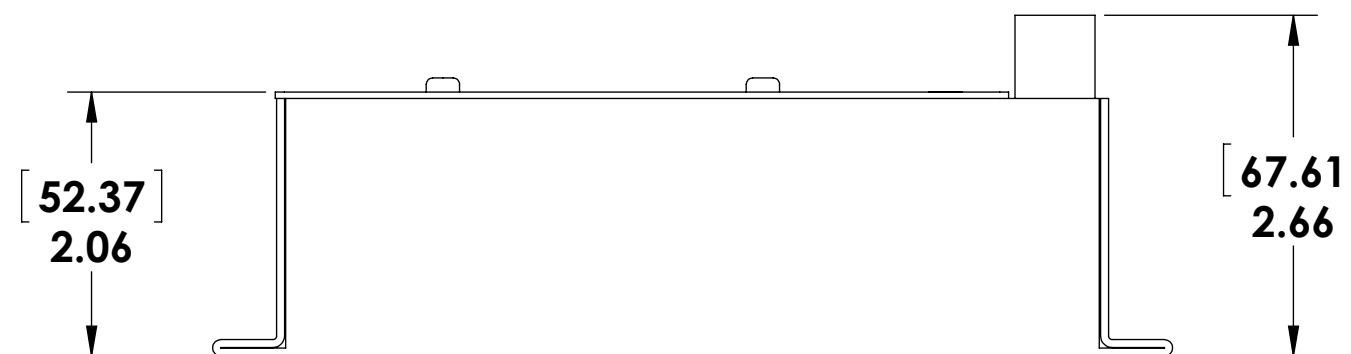
**MOUNTING HOLES QTY:4**



**9 POLE BARRIER TYPE OF TERMINAL BLOCK WITH 3/8" SPACING**

**CASE MATERIAL: ALUMINUM 5052-H32  
FINISH: CLEAR IRIDATED AS PER MIL-C-5541E**

**THE UNIT IS POTTED WITH SILICONE BASED POTTING COMPOUND**



REV	DESCRIPTION:	DATE	MUST BE RoHS COMPLIANT	DIMENSIONS ARE IN INCHES TOLERANCES ON DECIMALS: XXX ± 0.008" XX ± 0.012"	THIS DOCUMENT IS THE PROPERTY OF ABSOPULSE ELECTRONICS LTD. ITS CONTENTS ARE PROPRIETARY AND MAY NEITHER BE COPIED, REPRODUCED NOR ITS CONTENTS DISCLOSED TO OTHERS WITHOUT PRIOR WRITTEN AGREEMENT FROM ABSOPULSE ELECTRONICS LTD.	Title: <b>OUTLINE DRAWING</b>			Date: <b>NOV.17/2015</b>	
<b>A</b>	<b>NEW ISSUE</b>	<b>17/11/15</b>		ANGLES: ± 2° FRACTIONS: ± 1/64" UNLESS OTHERWISE STATED		Part of: <b>P59 CASE</b>				Drawing No: <b>ODR XXXXXX</b>
			EDGES & HOLES DEBURRED SURFACES FREE OF SCRATCHES			Drawn by: <b>R.G.</b>	Checked by:	Approved by:	Revision:	