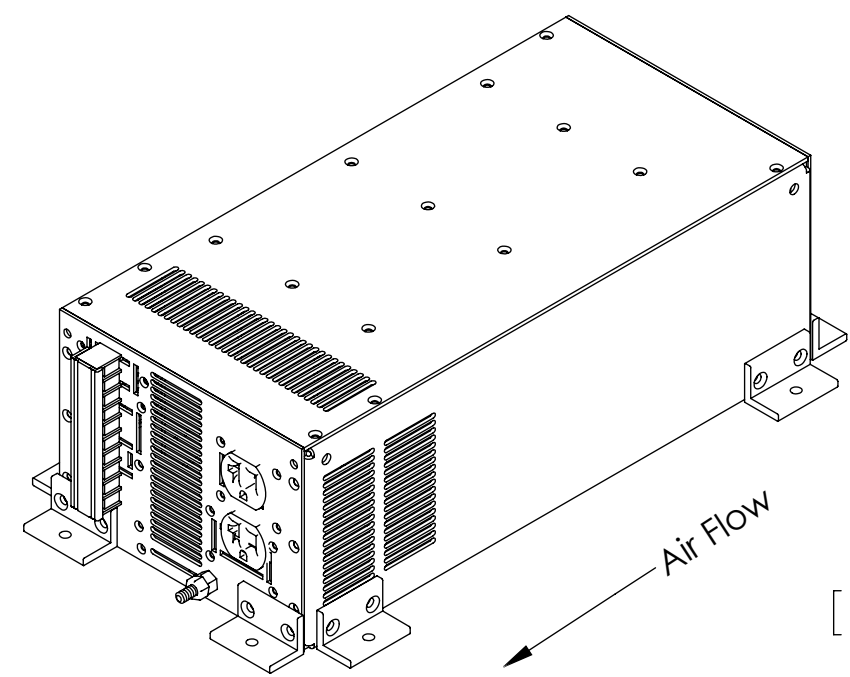
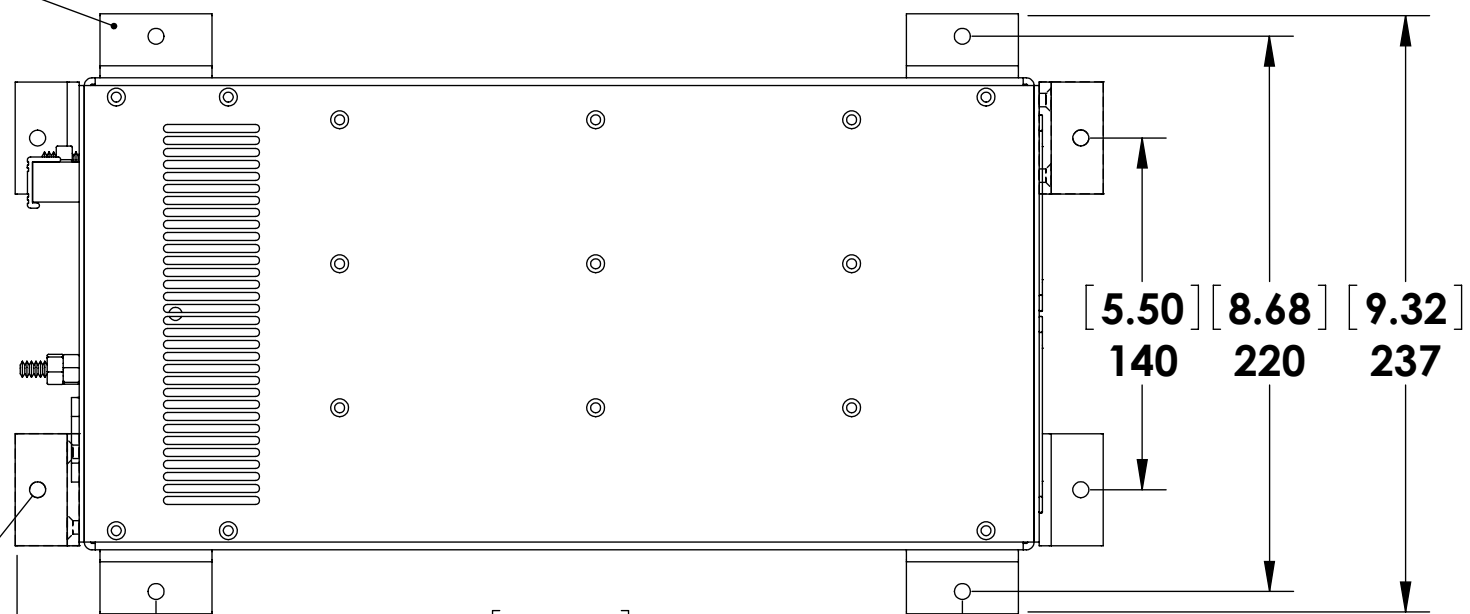


Mounting brackets can be installed along short or long sides - 4 mounting brackets with fasteners are provided with the unit

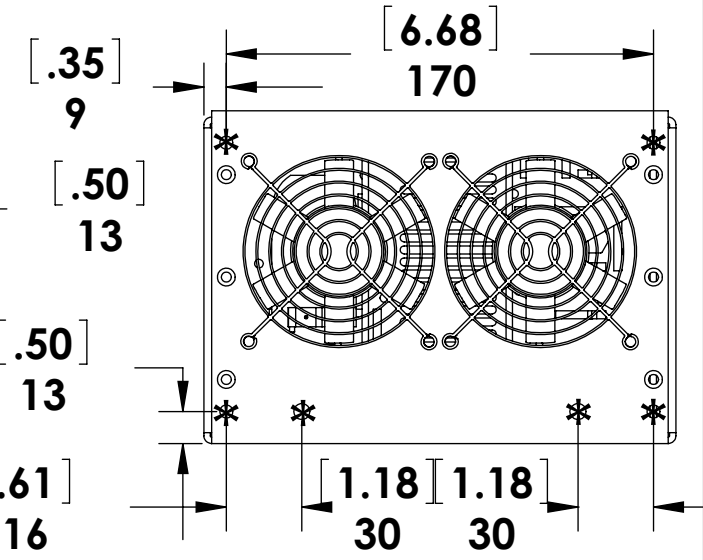
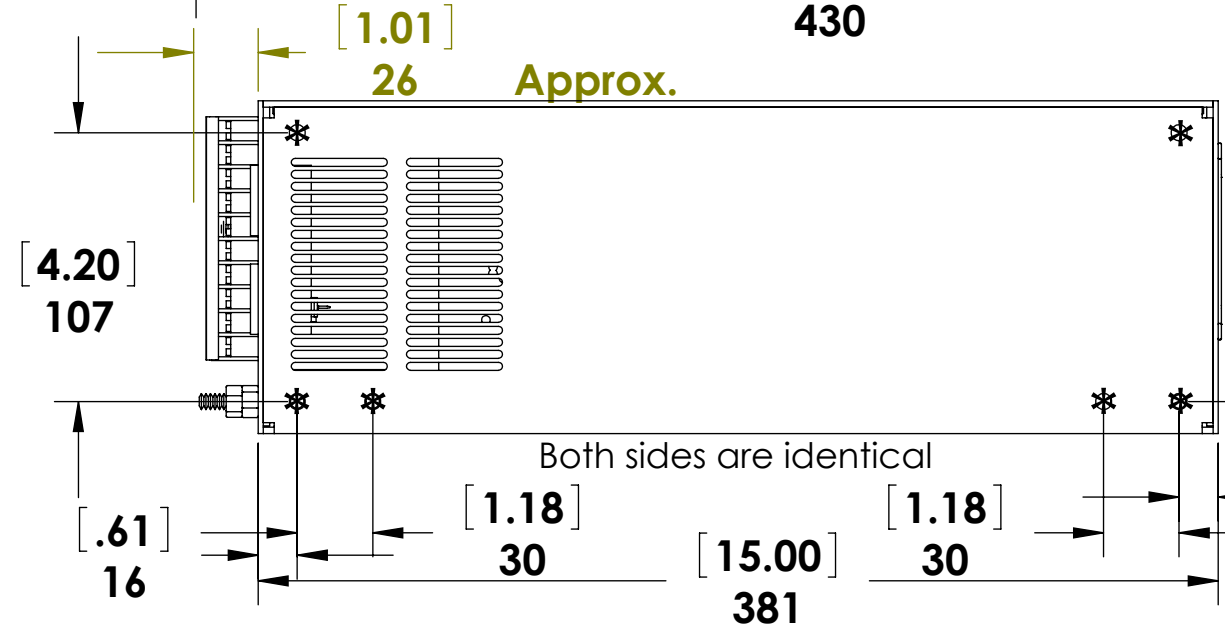
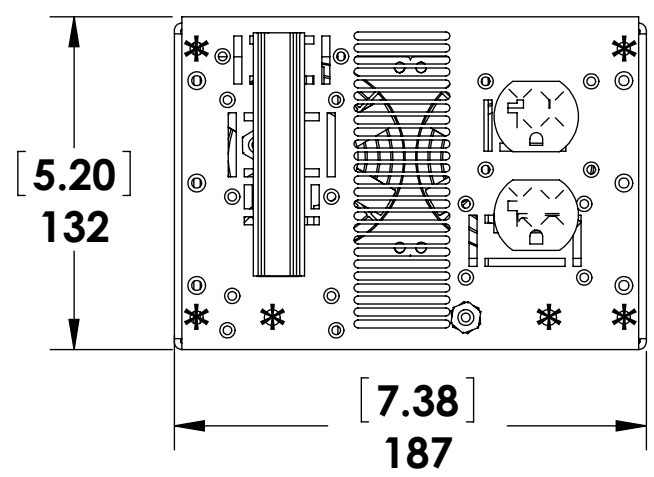


Input / Output termination may vary, it depends on application

\* M5 Threaded inserts for mounting brackets or for other mounting options  
Maximum screw penetration is 10mm from outside surface of chassis



[.25]  
Ø6 typ.



REV	DESCRIPTION:	DATE
A	NEW ISSUE	04/11/2014

EDGES & HOLES DEBURRED  
SURFACES FREE OF SCRATCHES

DIMENSIONS ARE IN INCHES  
TOLERANCES ON  
DECIMALS: XXX ± 0.008"  
XX ± 0.012"  
ANGLES: ± 2°  
FRACTIONS: ± 1/64"  
UNLESS OTHERWISE STATED

THIS DOCUMENT IS THE PROPERTY  
OF ABSOPULSE ELECTRONICS LTD.  
ITS CONTENTS ARE PROPRIETARY AND  
MAY NEITHER BE COPIED, REPRODUCED  
NOR ITS CONTENTS DISCLOSED TO OTHERS  
WITHOUT PRIOR WRITTEN AGREEMENT  
FROM ABSOPULSE ELECTRONICS LTD.

Title: OUTLINE DRAWING			
Part of: 3U3 Package			
Drawn by: J.X.	Checked by:	Approved by:	Revision:

Date:	NOV.04, 2014
Drawing No:	ODR XXXXXX