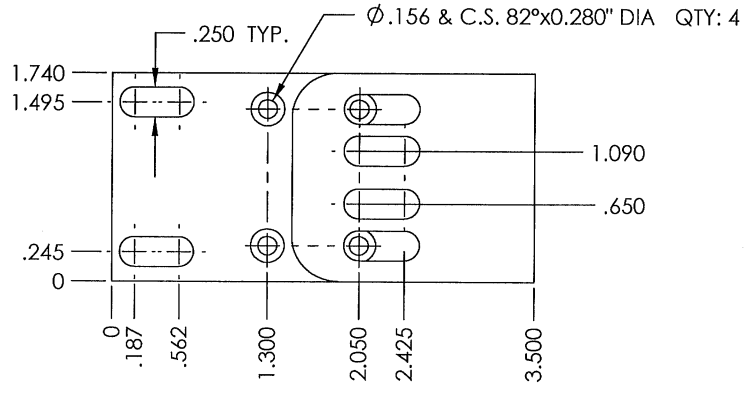
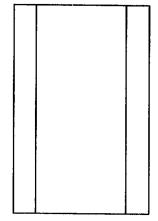
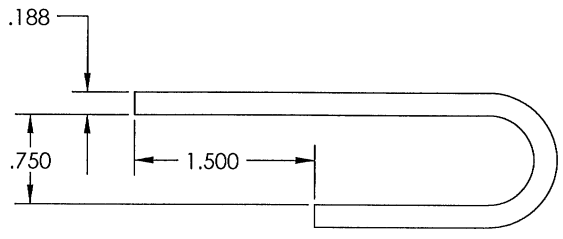
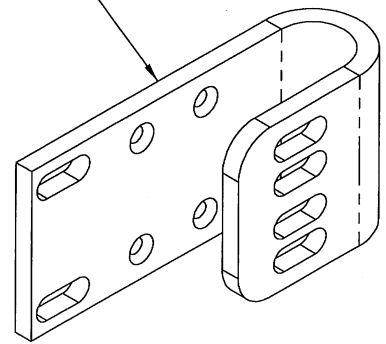


APPROVED
By document1 at 3:19 pm, Apr 27, 2012

Part No. Dwg. No. stamped on far side



MATERIAL: ALUMINUM 5052-H32
FINISH: TIME SAVED, DEEP BLUE ANODIZED (15 MIN. IN BLUE DIE)

REV	DESCRIPTION:	DATE	MUST BE RoHS COMPLIANT	DIMENSIONS ARE IN INCHES TOLERANCES ON DECIMALS: XXX ± 0.008" XX ± 0.012"	THIS DOCUMENT IS THE PROPERTY OF ABSOPULSE ELECTRONICS LTD. ITS CONTENTS ARE PROPRIETARY AND MAY NEITHER BE COPIED, REPRODUCED NOR ITS CONTENTS DISCLOSED TO OTHERS WITHOUT PRIOR WRITTEN AGREEMENT FROM ABSOPULSE ELECTRONICS LTD.	Title: MOUNTING BRACKET				ABSOPULSE
A	NEW ISSUE	18/03/09				Part of: 1U CHASSIS				
			EDGES & HOLES DEBURRED SURFACES FREE OF SCRATCHES	ANGLES: ± 2° FRACTIONS: ± 1/64" UNLESS OTHERWISE STATED		Drawn by: R.N.	Checked by: <i>[Signature]</i>	Approved by: <i>[Signature]</i>	Revision: 1	Drawing No: MDR 998 764-A