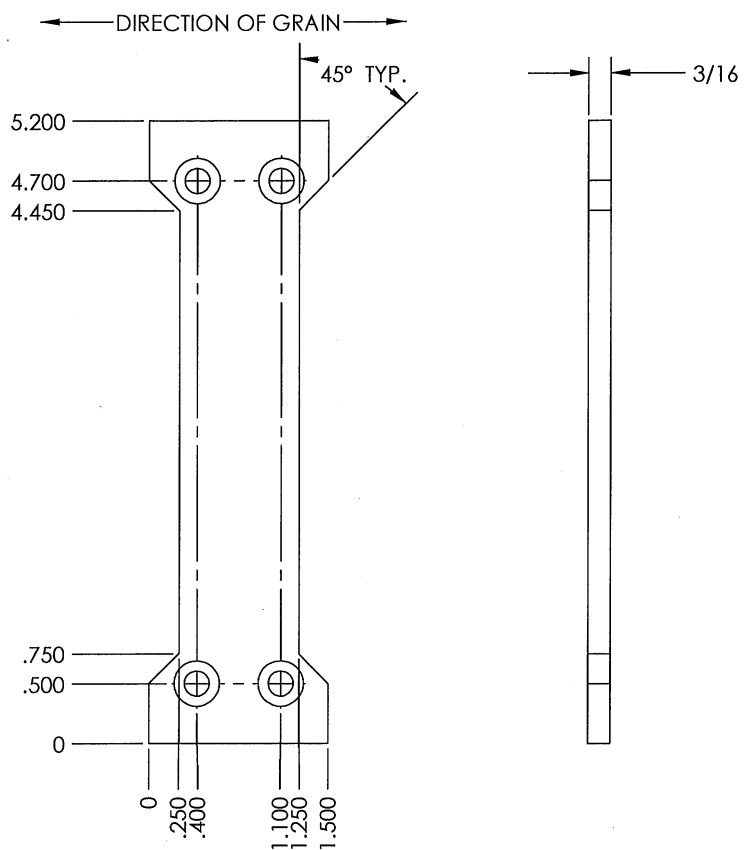


APPROVED
By document1 at 4:19 pm, Oct 06, 2011



MATERIAL: ALUMINUM 5052-H32
THICKNESS: 3/16"
FINISH: TIME SAVED, DARK BLUE ANODIZED (15 MIN. IN BLUE DIE)

HOLES:
0.210" DIA & C.S. 90°x 0.380" DIA QTY: 4
ALL C.S. ON NEAR SIDE

REV	DESCRIPTION:	DATE	MUST BE RoHS COMPLIANT	DIMENSIONS ARE IN INCHES TOLERANCES ON DECIMALS: XXX ± 0.008" XX ± 0.012"	THIS DOCUMENT IS THE PROPERTY OF ABSOPULSE ELECTRONICS LTD. ITS CONTENTS ARE PROPRIETARY AND MAY NEITHER BE COPIED, REPRODUCED NOR ITS CONTENTS DISCLOSED TO OTHERS WITHOUT PRIOR WRITTEN AGREEMENT FROM ABSOPULSE ELECTRONICS LTD.	Title: CONNECTION BRACKET				ABSOPULSE
A	NEW ISSUE	16/10/08				Part of: 3U3 & 3U4 SYSTEM				
			EDGES & HOLES DEBURRED SURFACES FREE OF SCRATCHES	ANGLES: ± 2° FRACTIONS: ± 1/64" UNLESS OTHERWISE STATED		Drawn by: R.N.	Checked by: <i>[Signature]</i>	Approved by: <i>[Signature]</i>	Revision: 1	Drawing No: MDR 998 753-A