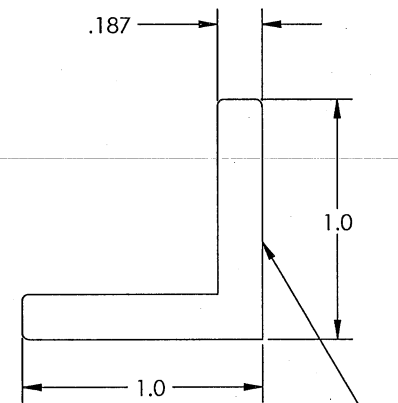
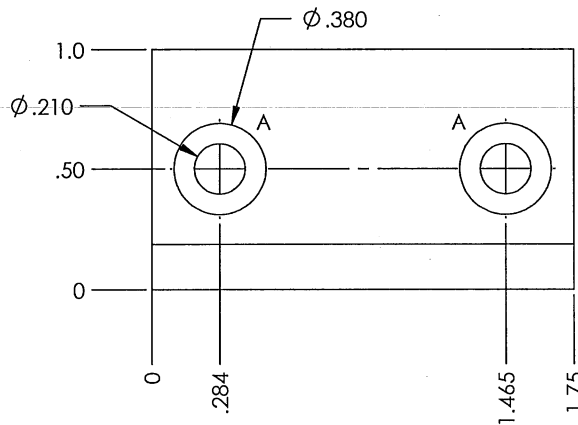
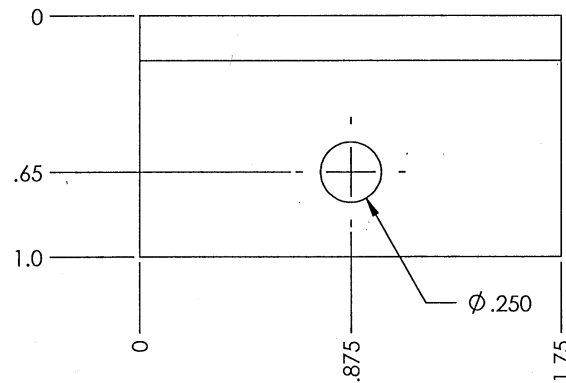
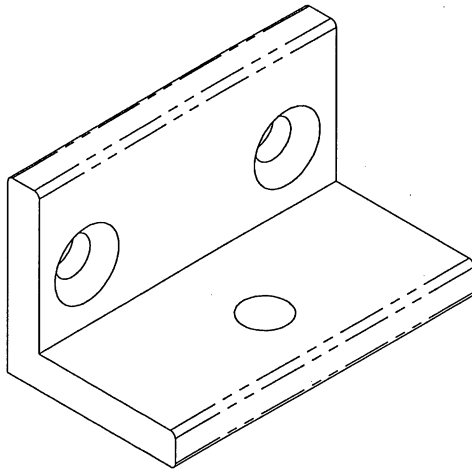


APPROVED
By Document2 at 11:12 am, Mar 04, 2014



PART No. DWG. No.
STAMPED ON THIS SURFACE

MATERIAL: ALUMINUM 6061-T6
EXTRUSION 1"x1"x .187
FINISH: CLEAR IRIDITE

HOLES:
A 0.210" DIA & C.S 90°x 0.380" DIA QTY: 2
C.S. ON NEAR SIDE

REV	DESCRIPTION:	DATE	MUST BE ROHS COMPLIANT	DIMENSIONS ARE IN INCHES TOLERANCES ON DECIMALS: XXX ± 0.008" XX ± 0.012"	THIS DOCUMENT IS THE PROPERTY OF ABSOPULSE ELECTRONICS LTD. ITS CONTENTS ARE PROPRIETARY AND MAY NEITHER BE COPIED, REPRODUCED NOR ITS CONTENTS DISCLOSED TO OTHERS WITHOUT PRIOR WRITTEN AGREEMENT FROM ABSOPULSE ELECTRONICS LTD.	Title: L-BRACKET				ABSOPULSE
A	NEW ISSUE	08/10/08				Part of: 3UX SERIES CHASSIS				
A1	CHANGED DESCRIPTION	03/03/14		ANGLES: ± 2° FRACTIONS: ± 1/64" UNLESS OTHERWISE STATED		Drawn by: R.N./B.Z.	Checked by: <i>BZ</i>	Approved by: <i>[Signature]</i>	Revision: 1	Drawing No: MDR 998 752-A1
			EDGES & HOLES DEBURRED SURFACES FREE OF SCRATCHES							