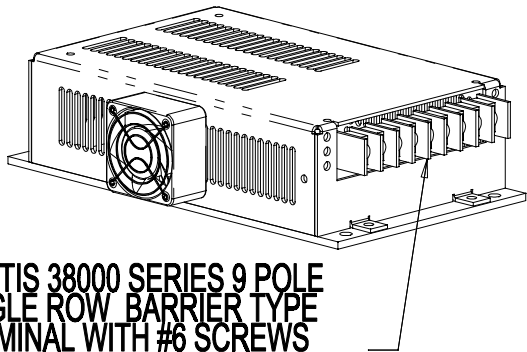
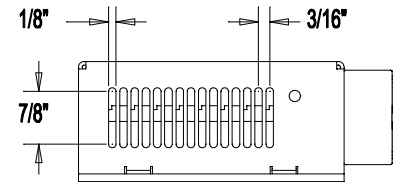
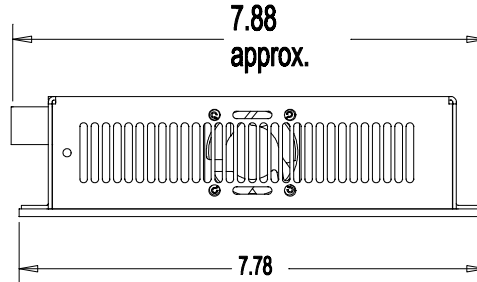
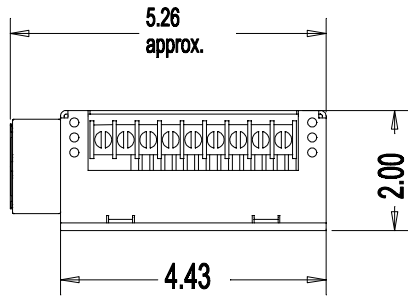
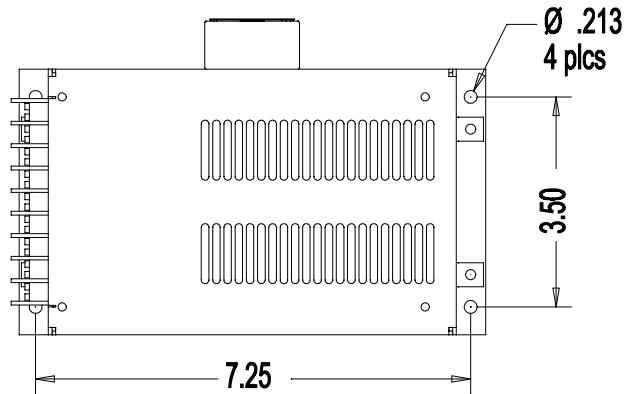


FF1-B OUTLINE



ALL DIMENSIONS ARE IN INCHES

FF1 PACKAGE OUTLINE

NOV.29.02

ABSOPULSE
RONICS LTD.

THIS DOCUMENT IS THE PROPERTY OF ABSOPULSE ELECTRONICS LTD. ITS CONTENTS ARE PROPRIETARY AND MAY NEITHER BE COPIED, REPRODUCED NOR ITS CONTENTS DISCLOSED TO OTHERS WITHOUT PRIOR WRITTEN AGREEMENT FROM ABSOPULSE ELECTRONICS LTD.