

3U x 19" Heavy-duty Stainless Steel Cradle for Four M5312 Modules CR 3U/19-4



Product description

The cradle is designed to fit into a standard 3RU x 19" space. It is made of high quality stainless steel to ensure its rigidity under the weight of the modules. Plastic side guards and Lexan® bottom protectors allow for easy insertion of ABSOPULSE standard M5312 modules. The M5312 stand-alone modules are fitted with matching aluminum front panels.

Material

Stainless steel

Weight

4.6kg (10.1) lbs

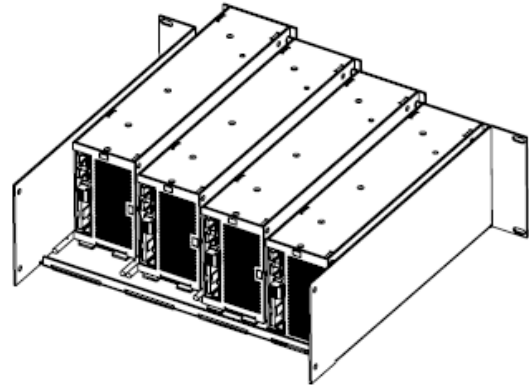
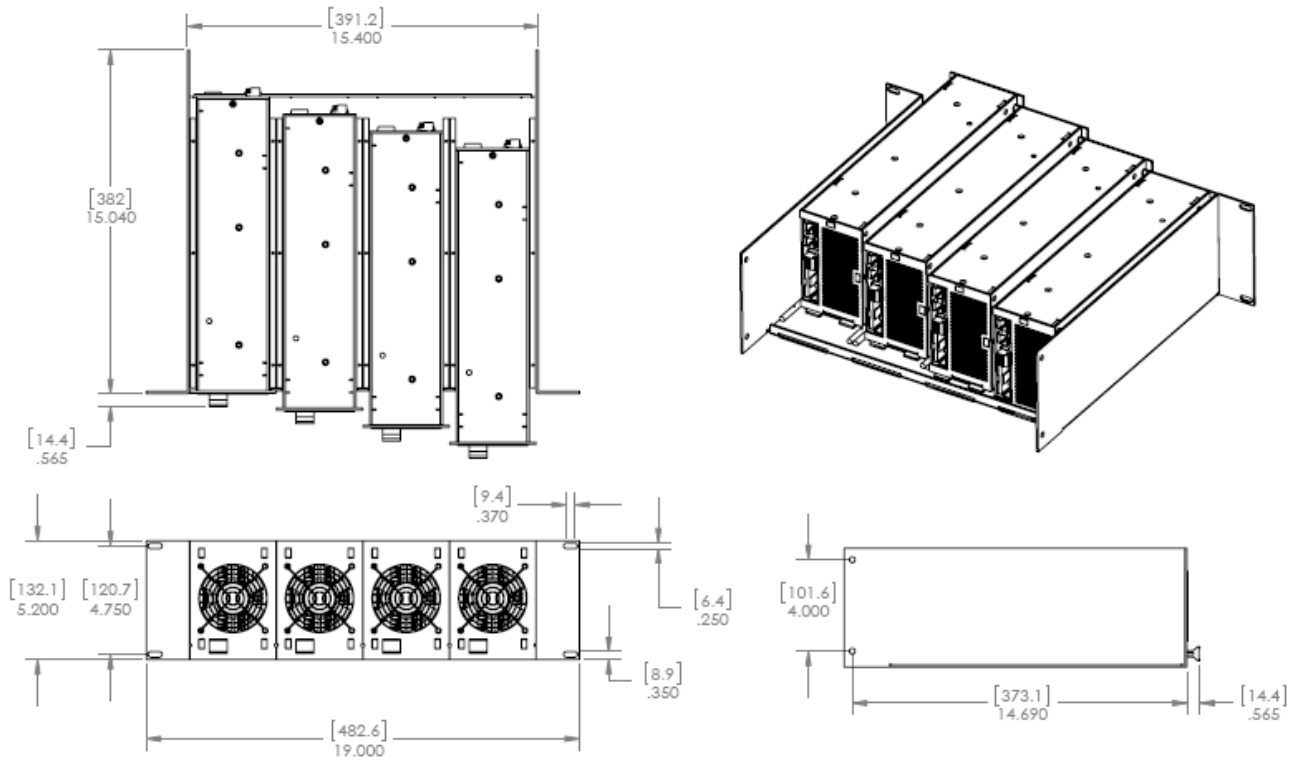


Photo: M5312 Modules



Photo:
CR3U/19-4 Cradle fully loaded with four M5312 Modules
Modules are not included

Enhancements to these general specifications and customizing can be accommodated upon request. Specifications are subject to change.

Designer and manufacturer of quality converters, inverters, UPS systems, complete rack-mount systems and DC-input fluorescent lamp inverters since 1982. Custom or standard. Absopulse is a BABT-approved Facility

ABSOPULSE
ELECTRONICS LTD.

ABSOPULSE ELECTRONICS LTD
110 Walgreen Road, Ottawa, Ontario, K0A 1L0 CANADA
Tel: +1-613-836-3511 | Fax: +1-613-836-7488
E-mail: absopulse@absopulse.com | <http://www.absopulse.com>