

## 3U x 19" Heavy-duty Stainless Steel Cradle for Three M5512 Modules CR 3U/19-3



M5512 Modules



CR3U/19-3 Cradle fully loaded with three M5512 Modules.  
The Modules are not included.

### Product description

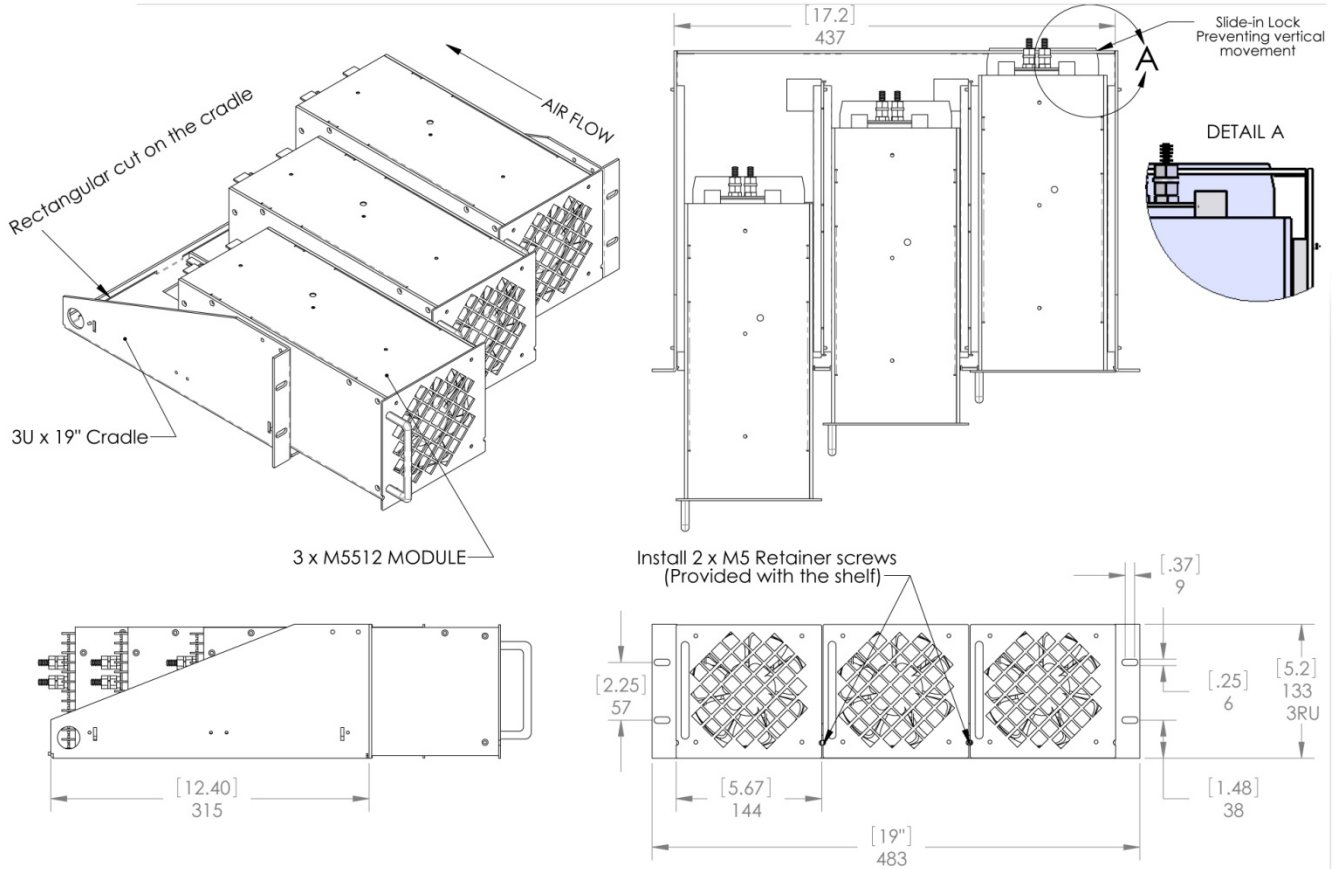
The cradle is designed to fit into a standard 3RU x 19" space. It is made of high quality stainless steel to ensure its rigidity under the weight of the modules. Plastic side guards and Lexan® bottom protectors allow for easy insertion of ABSOPULSE standard M5512 modules. The M5512 stand-alone modules are fitted with matching aluminum front panels.

### Material

Stainless steel

### Weight

4.3 kg (9.5lbs)



**Enhancements to these general specifications and customizing can be accommodated upon request. Specifications are subject to change.**

*Designer and manufacturer of quality converters, inverters, UPS systems, complete rack-mount systems and DC-input fluorescent lamp inverters since 1982. Custom or standard. Absopulse is a BAPT-approved Facility*



### ABSOPULSE ELECTRONICS LTD

110 Walgreen Road, Ottawa, Ontario, K0A 1L0 CANADA  
Tel: +1-613-836-3511 | Fax: +1-613-836-7488

E-mail: [absopulse@absopulse.com](mailto:absopulse@absopulse.com) | <http://www.absopulse.com>